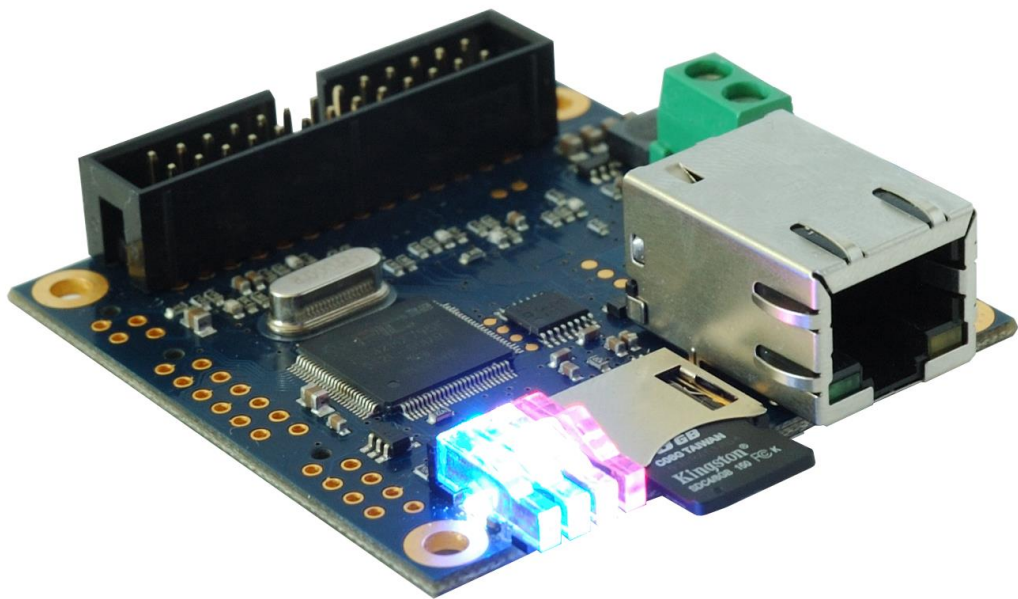


Moncha.NET LITE

Installatoin guide



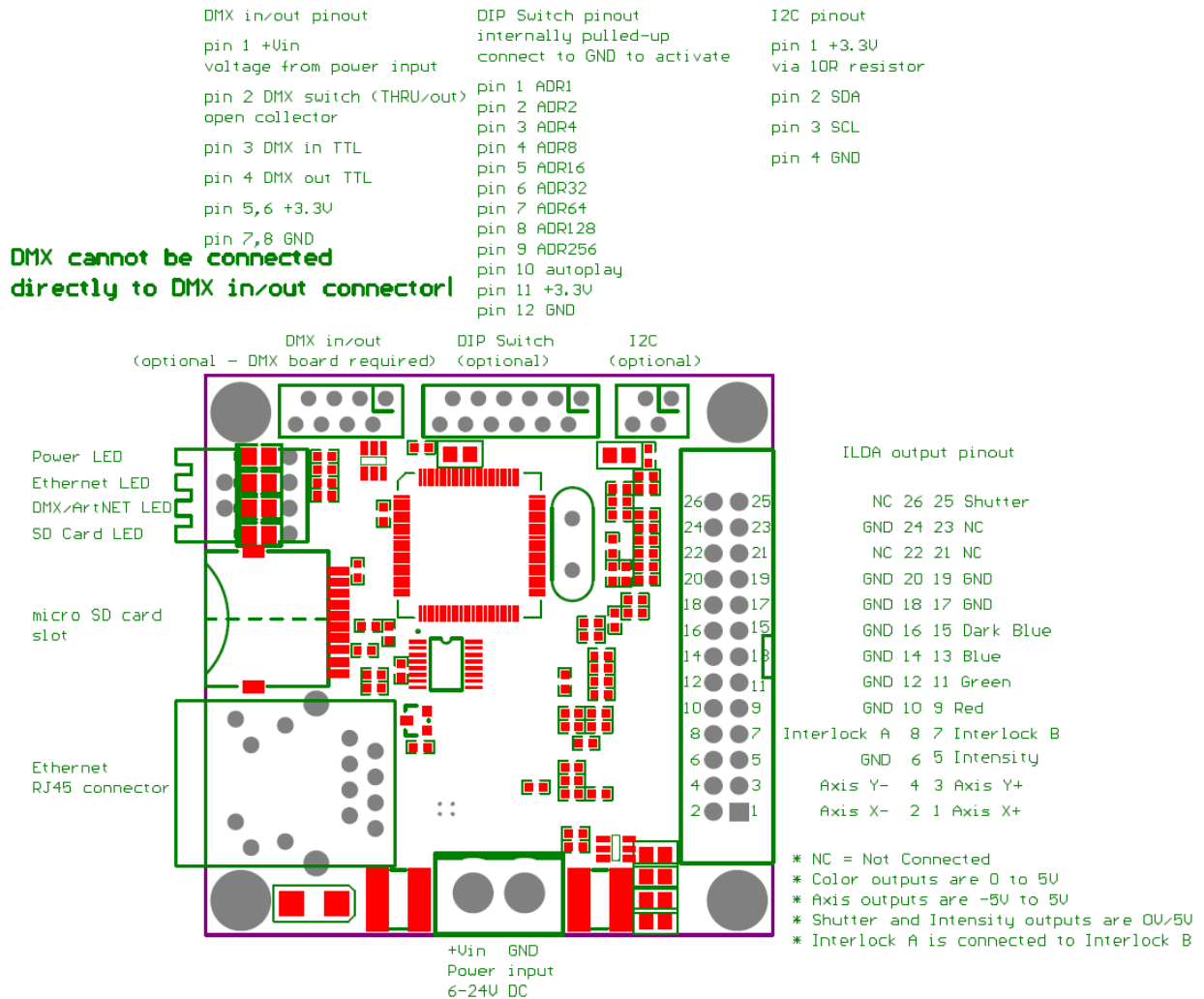
Thank you for purchasing Showtacle product.

Moncha.NET LITE is the smallest Ethernet/SD-card/Art-Net laser show controller in the world!

Copyright 2016, Showtacle s.r.o. All rights reserved.

Due to our policy of continuous product improvement, information in this manual is subject to change without notice.

Discover Moncha.NET LITE hardware



LED Indicator

	Green LED – Power ON
	Blue LED – Software connected (e.g. Moncha 4)
	Yellow LED – Art-Net input Yellow LED Flashing – DMX input
	Red LED – Laser output enabled

First installation

POWER CONNECTOR

When you install Moncha.NET LITE into a laser projector, you have to supply power to the Moncha.NET LITE at the connector shown scheme. The power required is a DC +6 to +24 volts and 2 Watts (3 Watts with optional accessories). This may be sourced from the same power supply that feeds the scanners or laser diode drivers.

The power connector is a green screw-terminal located at the bottom of the Moncha.NET LITE, as it is shown in the previous picture. The connector will normally have red dot markings to indicate positive terminal. Polarity is also marked at PCB.

LASER PROJECTOR SIGNAL OUTPUT CONNECTOR

To brake-out the signal from Moncha.NET LITE you can simply crimp flat cable with FL26 connector and than split cables according to your needs to X, Y, R, G, B, Shutter, etc. Pinout is described in the previous picture.

ETHERNET CONNECTOR

In case you want to control Moncha.NET LITE by PC software or Art-Net, connect Moncha.NET LITE to your local area network or to your computer using a standard Ethernet patch cable.

SOFTWARE INSTALLATION

Install „Moncha“ software from CD moncha.net, which is included with Moncha.NET LITE, or download lastest version at www.showtacle.com. After successful installation, you need to search Moncha.NET LITE by „Search for laser Devices“.

Moncha.NET LITE is by default configured to use an automatic IP address, which can be identified using „Search for laser Devices“.

In order you want to change IP address of Moncha.NET LITE follow these steps:

- Open software „Search for laser Devices“
- Click on Search
- Select Moncha.NET LITE by serial no.
- Advanced
- Set IP Moncha.NET Address
- Select IP address
- Apply
- OK

The IP address for Moncha.NET LITE will be successfully changed and stored to Moncha.NET LITE and is ready to use with the new IP address.

Now you can open and use „Moncha“ software. Device status is shown on the bottom status bar in Moncha software.

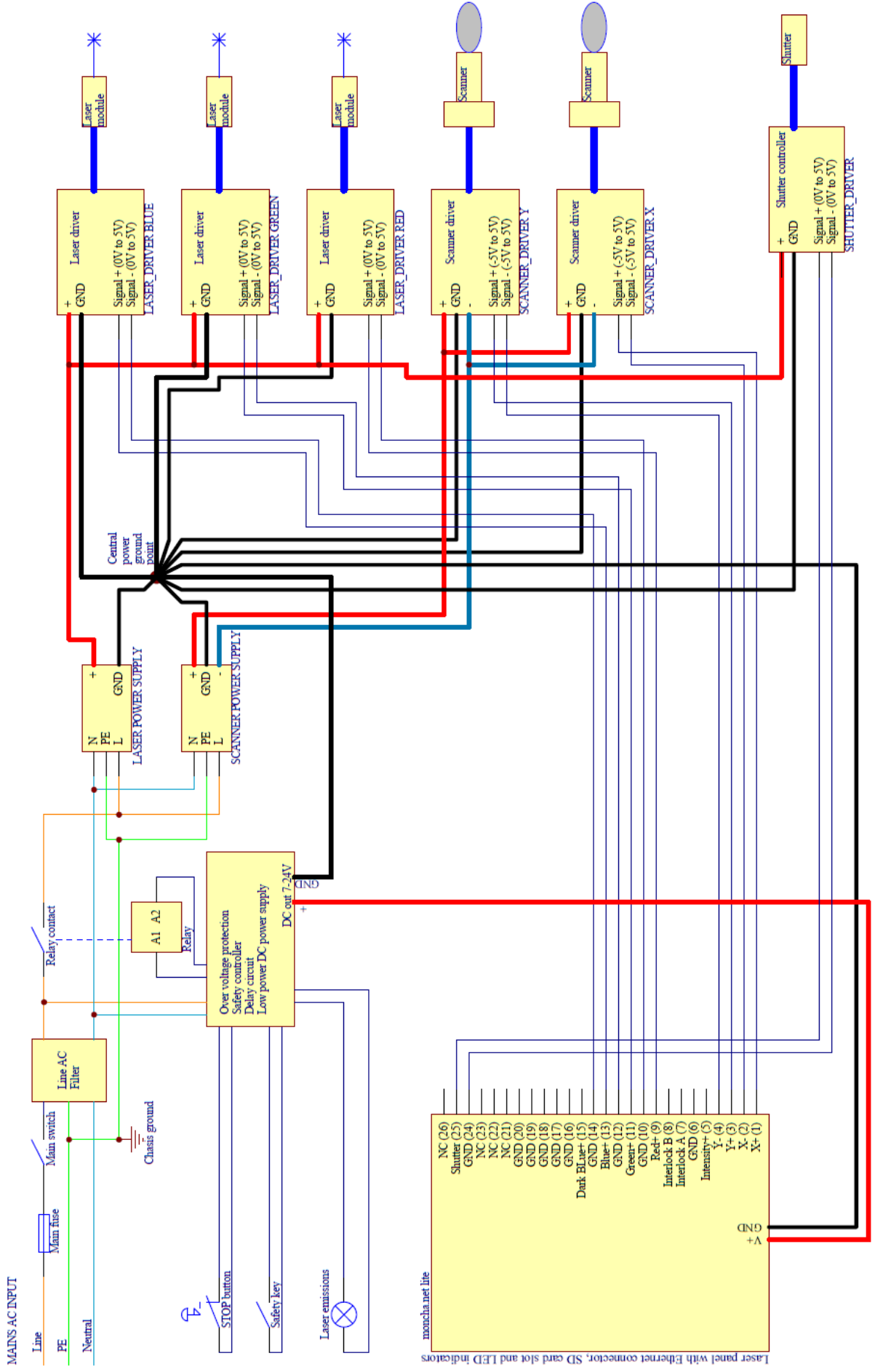
Moncha.NET LITE connection to your laser projector

If you already have experience with internal signal&power connection inside laser projector with standard ILDA connector, then adding Moncha.NET LITE to your laser projector or designing laser projector with Moncha.NET LITE should be an easy task.

Proper way to achieve best output drawing of your laser projector is to minimize unwanted ground loops and keep signal (especially non-differential signals) away from high EMI sources such as power cables, transformers, cables with high switching current (for peltier cells, laser diodes etc.).

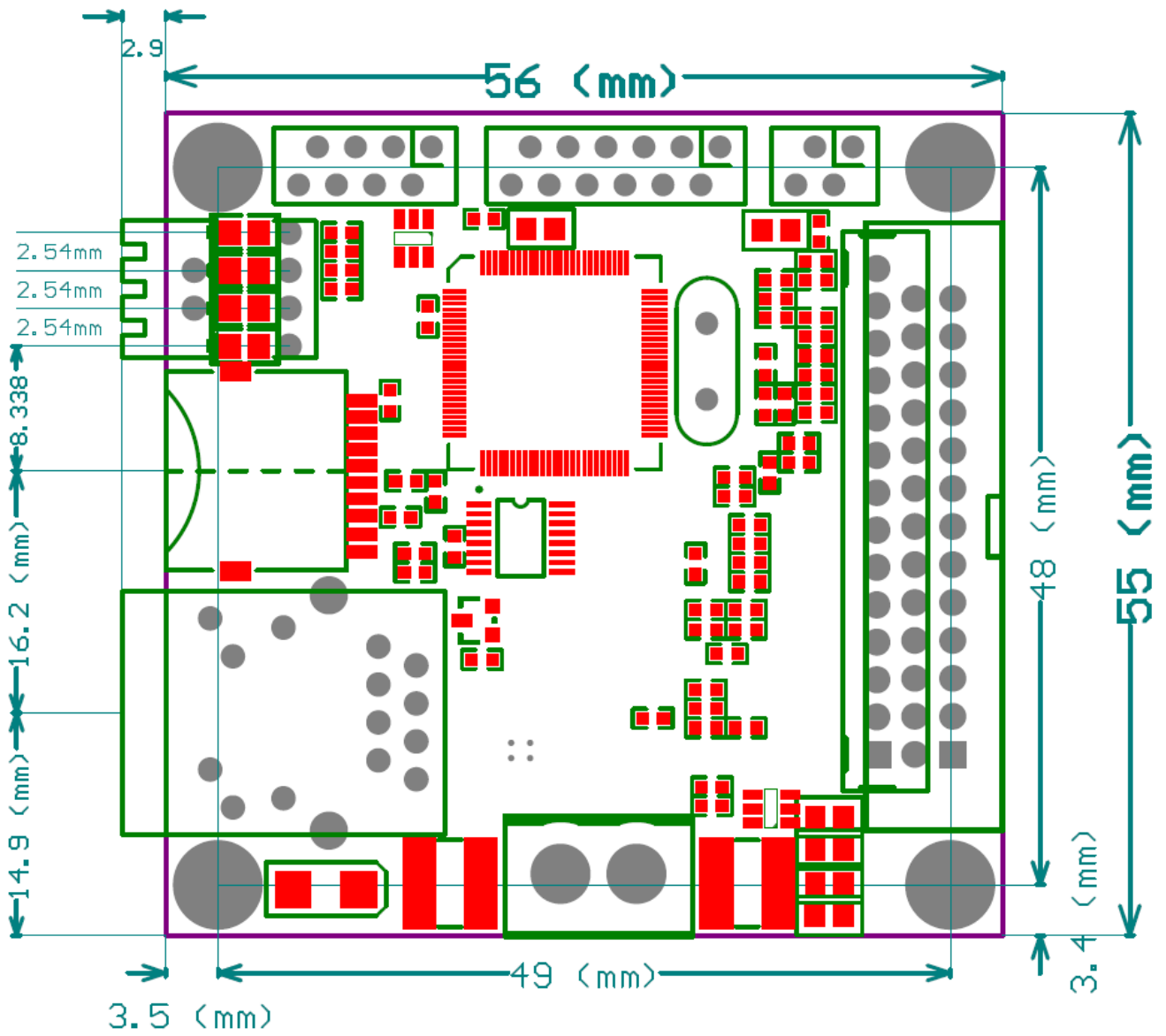
It is beneficial to use laser and scanner drivers with differential input and to trace differential signals by shielded twisted wires especially when high EMI is generated inside your laser projector.

Typical signal & power connection is shown in the next picture:



Laser panel with Ethernet connector, SD card slot and LED indicators

Dimensions of Moncha.NET LITE



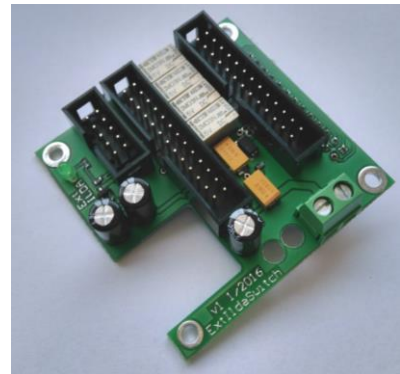
Mounting hole size 4x 3.2mm

Optional accessories

To improve your laser projector by extra features you can also purchase optional accessories from Showtacle, or you can manufacture them simply using CAD files from Showtacle. CAD files will be provided upon request for free.

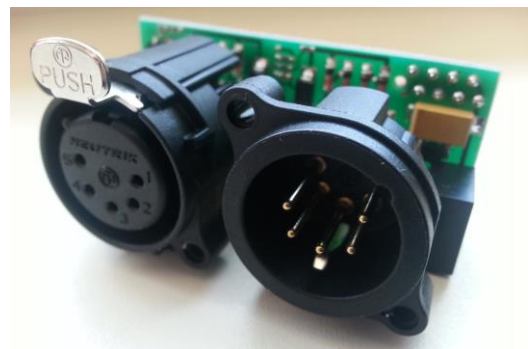
EXT ILDA switch

- Gives you the ability to install external ILDA input connector to your laser projector. Eventually ILDA input and ILDA THRU to chain more laser projectors.
- Gives you possibility for easy connection of X and Y invert switches.
- Switch automatically to external ILDA source by sensing interlock pins.
- Has output to LED which will lit once when external ILDA source is connected.
- Is designed to be simply mounted to Moncha.NET LITE via spacers.
- Include DC/DC converter that enables to power it from wide voltage range or non stabilized power supply.
- External ILDA connector on EXT ILDA switch is LPH26 with pinout respect to DB-25 crimp connector, so you just need a crimpable FL26 connector, 25wires flat 2.54mm pitch cable and a crimpable DB-25 male connector. If you like to use ILDA THRU just crimp a crimpable DB-25 female connector to that cable too.



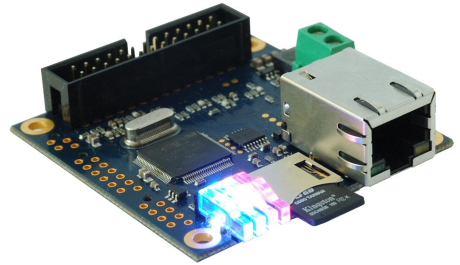
DMX board

- Has DMX input and DMX output connector on board, so mouting to laser projector panel is very fast and easy.
- DMX output is THRU by default, but when Moncha.NET LITE generates DMX, DMX output is sourced by Moncha.NET LITE while DMX input is still input to Moncha.NET LITE controller.
- DMX is galvanically isolated to protect Moncha.NET LITE and whole laser projector. This isolation also removes ground loops and therefore helps avoid unwanted noise and ripple to scanners or laser modules.



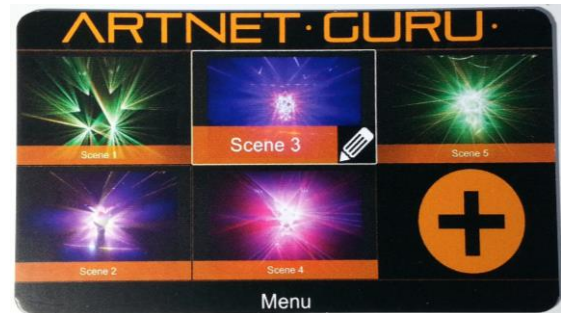
Item checklist

Moncha.NET LITE



CD with software

ArtNet Guru card



Ethernet cable

Micro SD card with adapter



Content

Discover Moncha.NET LITE hardware	4
LED Indicator	4
First installation.....	5
Moncha.NET LITE connection to your laser projector	6
Dimensions of Moncha.NET LITE.....	8
Optional accessories.....	9
Item checklist	10
Content.....	11



FOR TECHNICAL SUPPORT AND QUESTIONS, PLEASE VISIT

WWW.SHOWTACLE.COM

OR EMAIL TO INFO@SHOWTACLE.COM